



**Patent # US 7,100,956 AB**  
**Installation Instructions Dodge Ram '94-'01**  
**P/N D80014**



**CAUTION**

**IT IS NOT RECOMMENDED MOUNTING THE TIREGATE ON TRUCKS THAT HAVE REAR FIBER GLASS REPLACEMENT FENDERS. THE BED DOES NOT HAVE THE REQUIRED STRUCTURAL STRENGTH TO SUPPORT THE TIREGATE AND THE SPARE TIRE. ADDITIONAL BRACING WILL BE REQUIRED.**

1. Remove tailgate by disconnecting the tether cable and lifting the tailgate out at approximately a 45° angle. (Reference the truck's Owner's manual).
2. Carefully remove the OEM tailgate pivot cup from the tailgate taking note of which side they belong on.
3. Remove latch pin bolt. A special wrench may be required.
4. Figures 1 through 5 show the three styles of TireGates
5. Install the pivot cups in the left and right side uprights. See Figure 6.
6. Slide the torque tube onto the left and right upright mount. See Figure 1.

Please call us at (877) 945-2684 if you have any questions or comments.

7. With the left and right uprights pushed in on the torque tube, install onto the pivot cups and install the torque tube bolts and washer, 4 places (M10X70M , washer and lock nut) to keep the uprights from turning. **DO NOT** tighten lock nuts yet. See Figure 1.
8. Insert the lower mounting bolt (M10x100mm) through the support plate. See Figure 1.
9. Locate the support plate's slotted mounting hole onto the tether pin.

### CAUTION

**At some point the manufacturer changed mounting hardware from American Standard thread to Metric tread. Both types of hardware are included in the kit. The proper hardware MUST be used in mounting the TireGate or damage to the mount points will result. Carefully test fit the supplied hardware in the truck's mounting points and select the proper ones to mount the TireGate.**

**Some trucks of the same years use M10 while others use the 3/8 hardware. This was base upon what hardware was available at the time.**

10. Start the upper uprights bolts (M10x100mm or 3/8-16x4" (Check with the M10x100mm bolt. The M10 will not fit if the truck has the 3/8"fastener.)) and washer in the latching (upper) locations. **DO NOT** tighten the bolts.
11. Install a M10 nut and washer on the lower mounting bolt (M10x100mm). **DO NOT** tighten the nuts.

### NOTE

To mount the TireGate in the inboard direction, install the latch pin cable bracket on the left side lower bolt. For the outboard direction, install on the right side location. See Figure 6.

12. Pull both the left and right uprights in while tightening the 4 torque tube bolts. M10X100M torque to 30-35 ft/lbs.
13. Due to truck manufacturing tolerances, it may be necessary to loosen the bolts attaching the truck's tail gate pivot pin(s) to properly locate the TireGate's left and right uprights. See Figure 6.
14. Tighten the 2 left and right upright upper bolts. M10 torque to 35-38 ft/lbs.
15. Tighten the 2 left and right upright lower nuts and bolts. M10 torque to 35-38 ft/lbs.
16. If necessary, tighten the bolts securing the truck's tail gate pivot pin(s) to factory specs.
17. Install bushings on the TireGate. The slotted bushing will be installed on the latch pin side and positioned so the slot is across the truck. The pivot bushing will be installed on the hinge side of the TireGate. See Figure 1.
18. Lift the gate and install both latch pins to hold gate in position to assist in assembly.
19. To install black plastic thrust washers, hold them on the top and the bottom of the gate as you slide the gate into the upper and lower clevises. Insert M10X100M hex bolts (Note: Grease the shaft of the bolt before installation. Do not grease the trust washers) Tighten just enough to take the slack out of the bolts and then torque to 18-22 ft/lbs. **DO NOT** over tighten the lock nuts.
20. Install spare tire using the Y bar and safety cable as shown in Figure 7.

### NOTE

The VT Series TireGate can be mounted in the OUTBOARD configuration ONLY and does not utilize the TireGate Y bar to secure the spare tire. Spare tire must be mounted using the supplied lug nuts and studs.

Please call us at (877) 945-2684 if you have any questions or comments.

**WARNING**

**MAXIMUM SPARE TIRE WEIGHT ON THE TIREGATE MUST NOT EXCEED 150 LBS.**

21. Latch safety cable to the Y bar handle and the TireGate using the supplied safety shackle as shown in Figure 7. A pad lock (customer supplied) may be added with the supplied safety shackle for added security.

**WARNING**

**DO NOT USE THE TIREGATE WITHOUT THE SAFETY CABLE SECURELY ATTACHED TO THE Y BAR HANDLE AND THE TIREGATE.**

22. Tighten the Y bar until the tire is drawn securely to the TireGate.

**CAUTION**

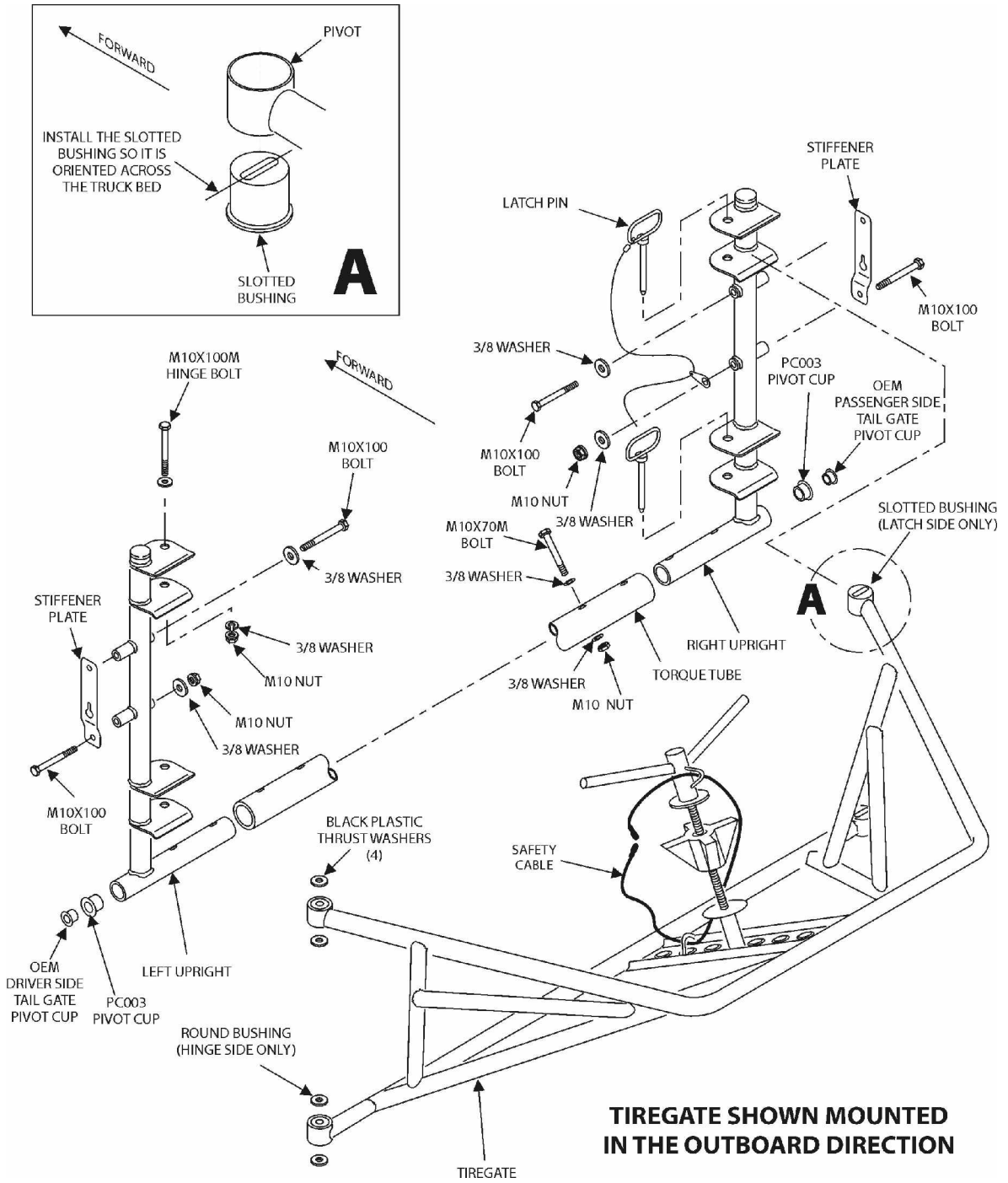
**DO NOT over tighten the draw bolt. You can damage the tire support bracket.**

23. Make sure all nuts and bolts are tight before operating the vehicle.
24. Recheck all fasteners after 4-8 hours of use (1 hour if off-road). Check TireGate as a normal part of your truck maintenance.

Please note that all TireGate series mount to the truck in the same manner.  
All will use the same installation instructions.

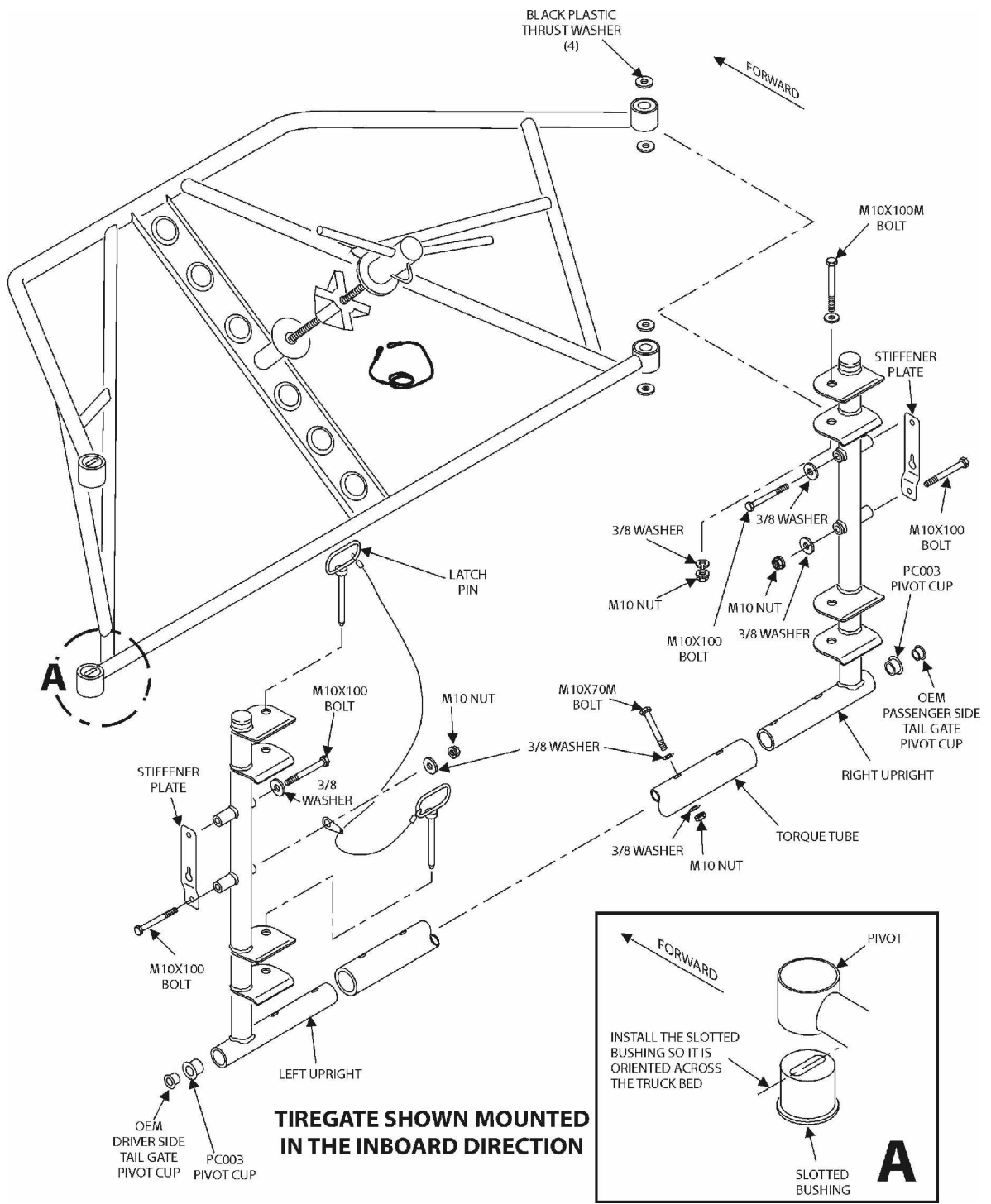


Please call us at (877) 945-2684 if you have any questions or comments.



**Figure 1. TireGate mounted in the outboard direction.**

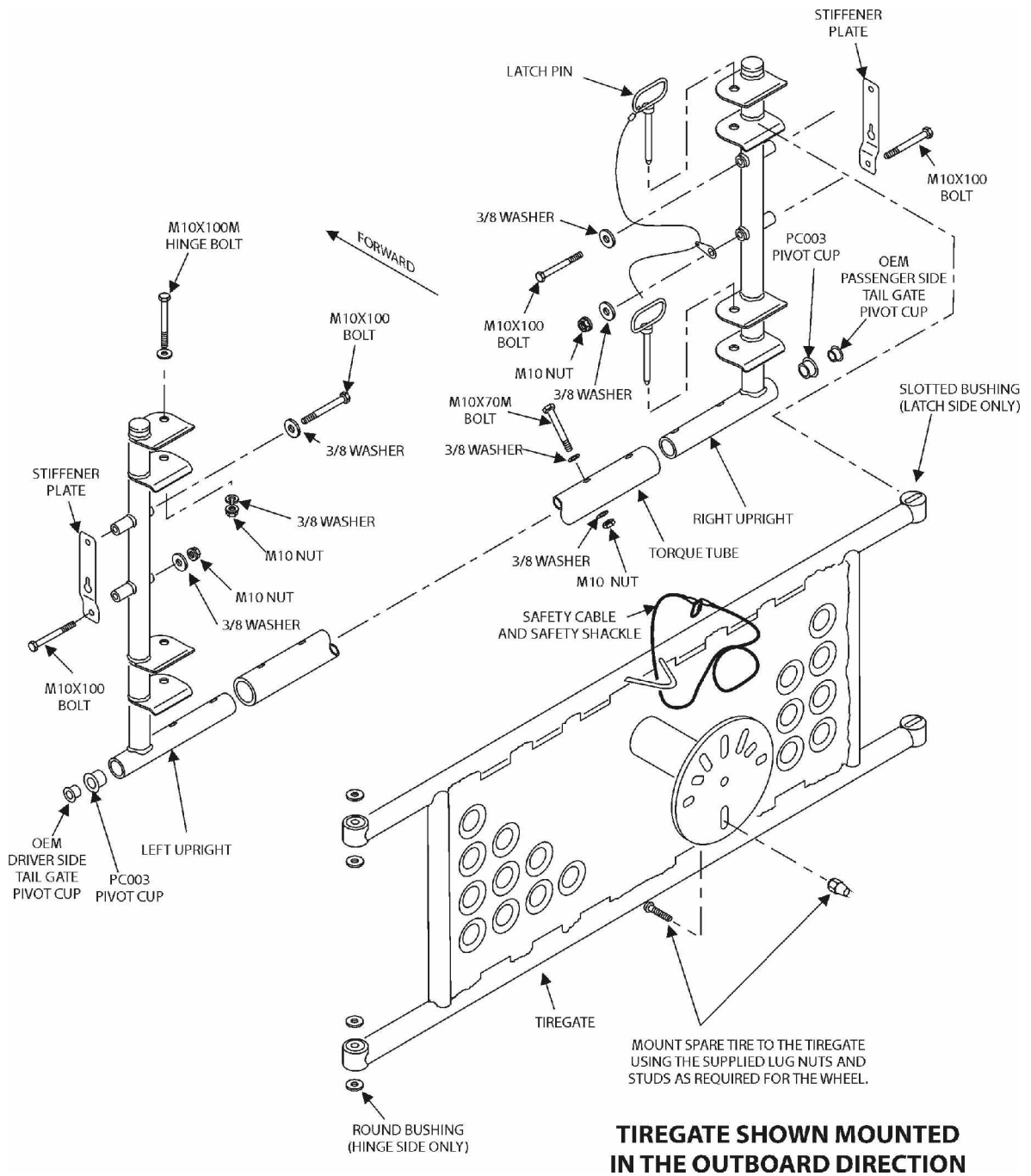
Please call us at (877) 945-2684 if you have any questions or comments.



**TIREGATE SHOWN MOUNTED  
IN THE INBOARD DIRECTION**

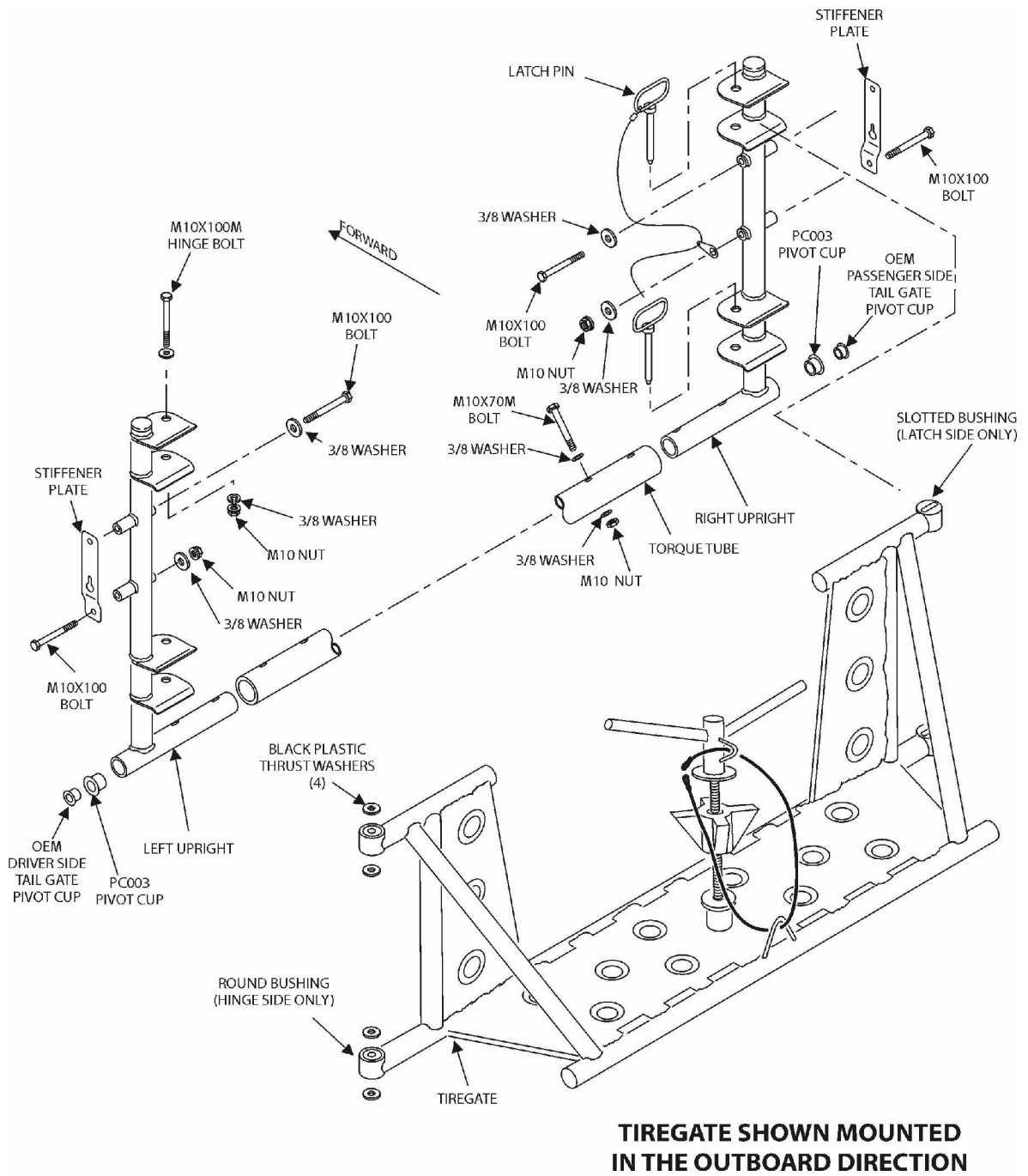
**Figure 2. TireGate mounted in the inboard direction.**

Please call us at (877) 945-2684 if you have any questions or comments.



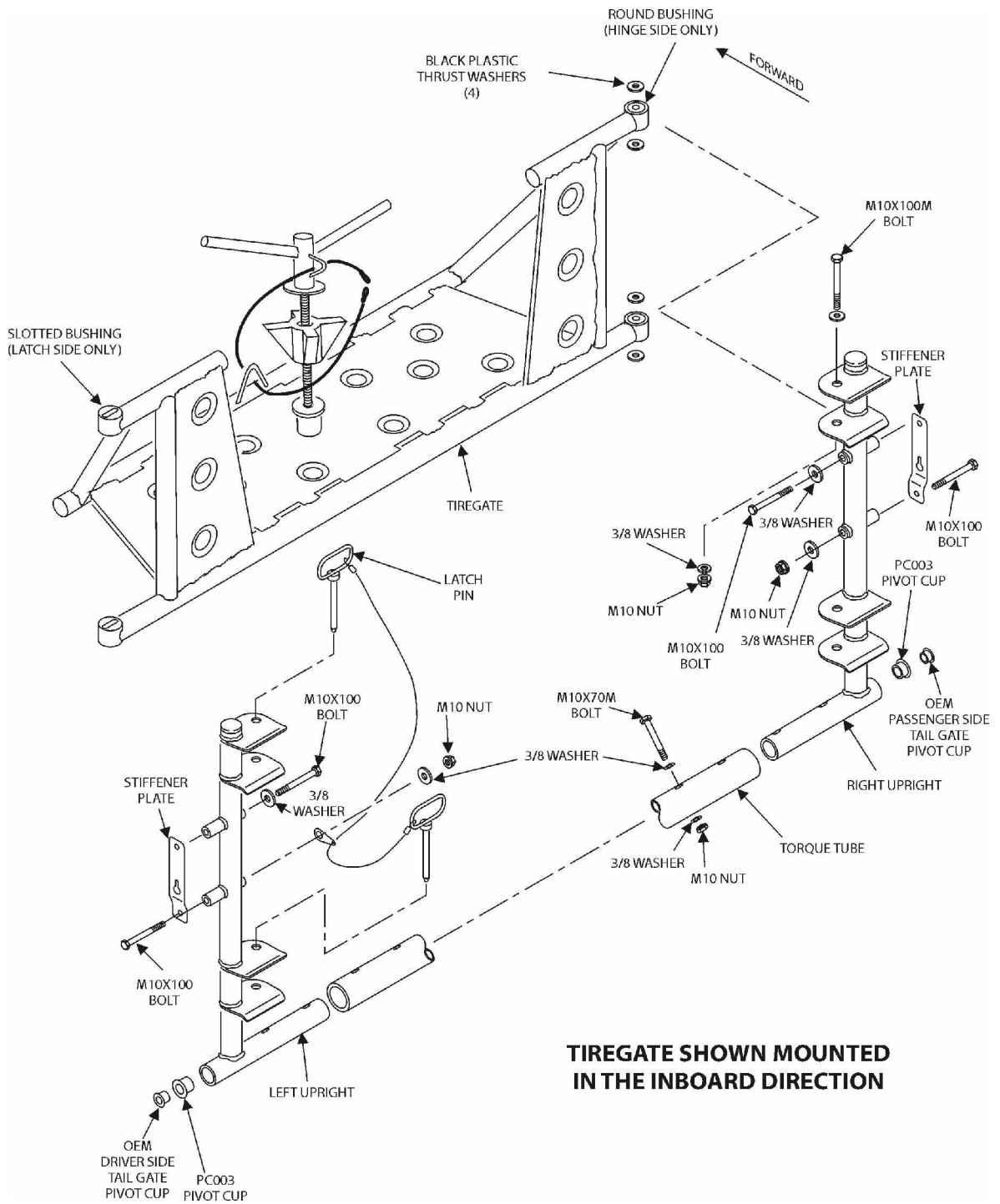
**Figure 3. TireGate VT mounted in the outboard direction.**

Please call us at (877) 945-2684 if you have any questions or comments.



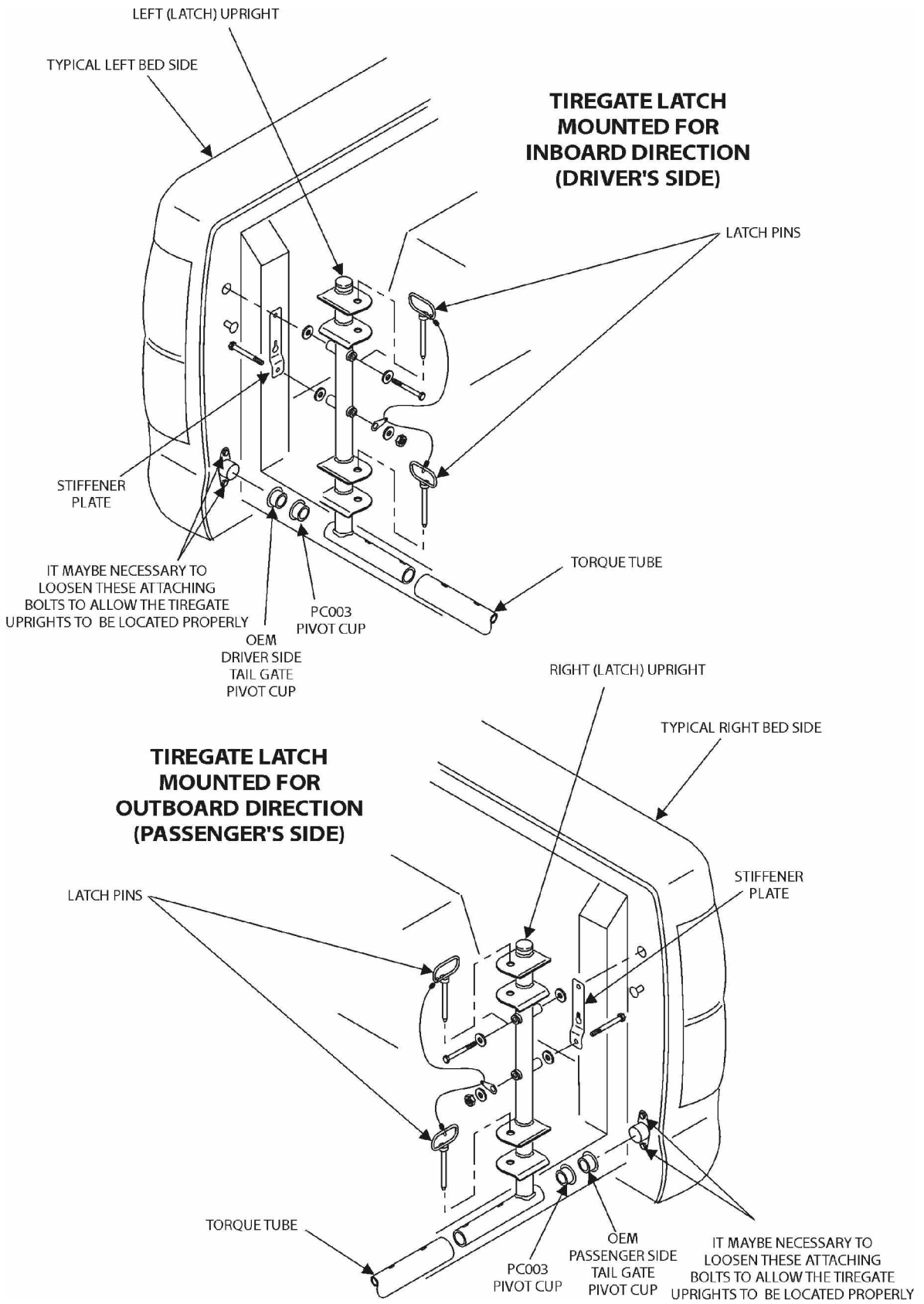
**Figure 4. TireGate HT mounted in the outboard direction.**

Please call us at (877) 945-2684 if you have any questions or comments.



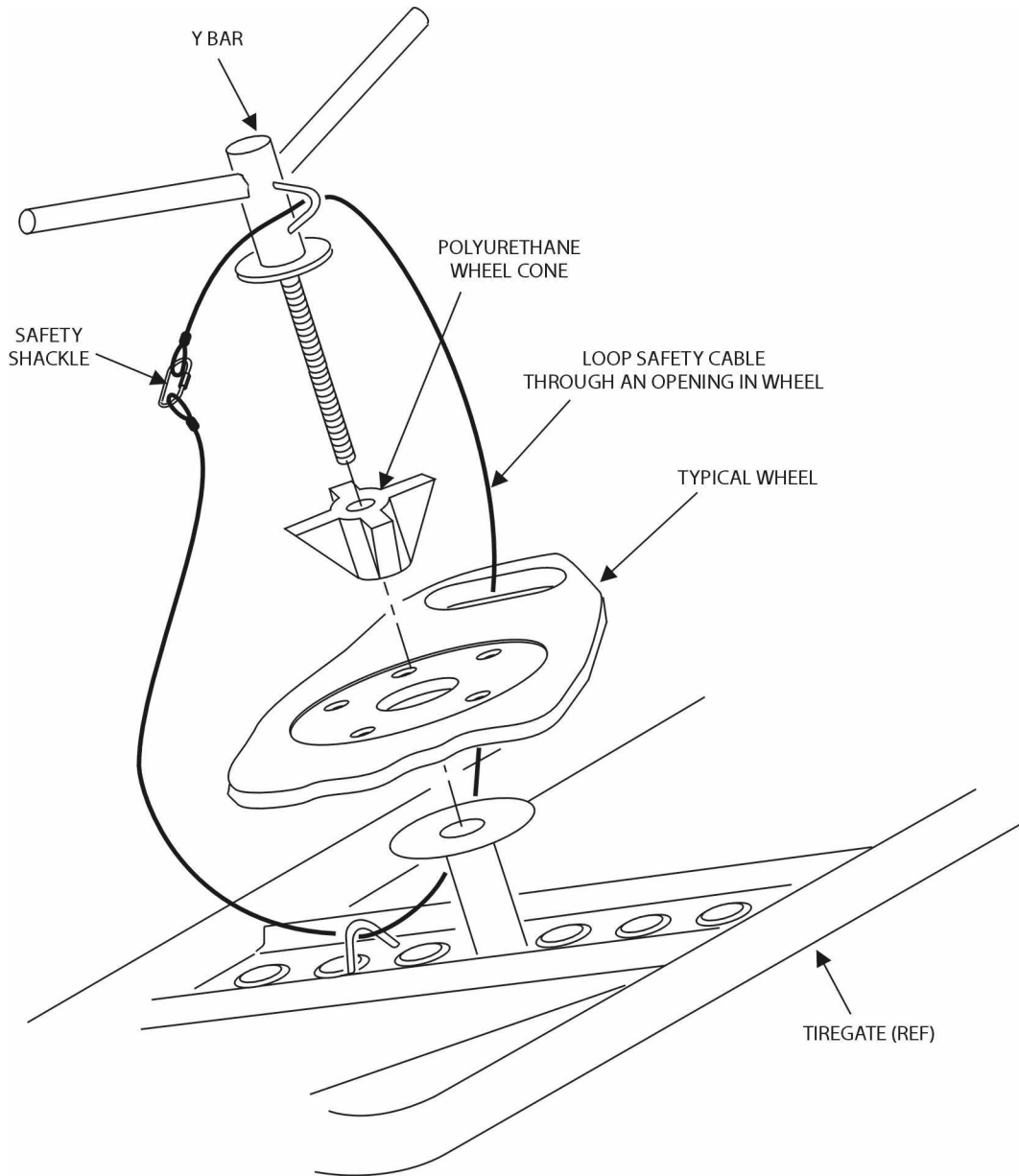
**Figure 5. TireGate HT mounted in the inboard direction.**

Please call us at (877) 945-2684 if you have any questions or comments.



**Figure 6. Pivot Cups**

Please call us at (877) 945-2684 if you have any questions or comments.



**WARNING**

**MAXIMUM SPARE TIRE WEIGHT ON  
THE TIREGATE MUST NOT EXCEED 150 LBS.**

**Figure 7. Typical spare tire mounting for all TireGate racks except the VT model.**

Please call us at (877) 945-2684 if you have any questions or comments.